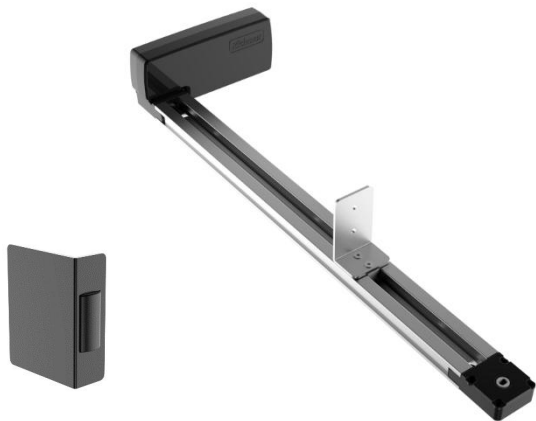


TF2



Specifications

Motor voltage	24 VDC
Max push force	200 N
Stroke	custom made
Current	$\leq 1A$
Speed	$20 \pm 10\%$ mm/s
Protection level	IP43
Noise level	≤ 50 dB

Size

