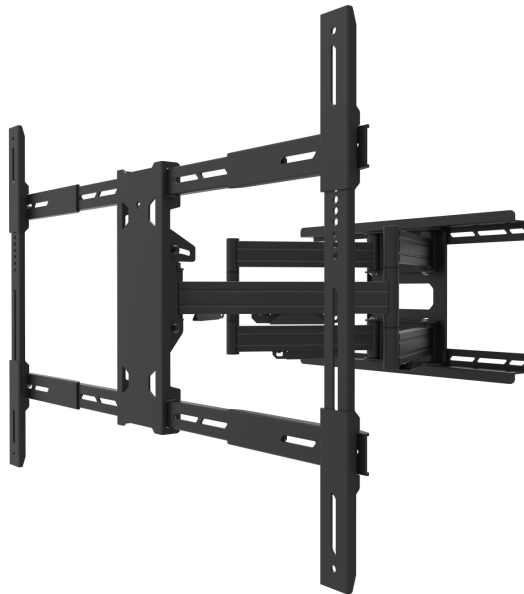


LPC 03



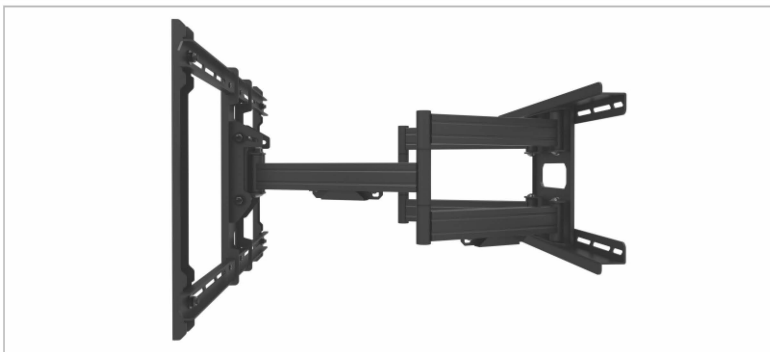
HEAVY DUTY
100KG

Tono LPC 03 TILT SWIVEL LED WALL MOUNT is one of its kind TV wall mount with premium looks and intelligent engineering. The finish is of aeronautical grade and approved by German standards. The wall plate cover and cable hiding system is well designed so that it functions with ease. It has got full- motion mount, you can easily fix, tilt, extend, fold and rotate your TV in seconds.

TONO TILT SWIVEL LED WALL MOUNT has got ultra thin design so that it looks flush to the wall when completely folded, depth is only 84mm.

Features

- Full motion wall brackets for 42 - 100 LED, LCD, PDP TVs
- - 12°- +3° tilt, upto 160° swivel
- Quickfit Kit
- Vesa compliant 200*200mm to 900*600mm
- Sits just 84mm from the wall to extend upto 710mm
- Supports flat panel tv up to 100kgs
- Wire Management System



SPECIFICATIONS

Model Name	LPC 03
Quantity in Box	1
Width	450mm
Height	450mm
Depth	85mm
Weight	6kgs
Maximum TV Weight	100kgs

PACKAGE SPECIFICATIONS

Width	500mm
Height	500mm
Depth	135mm
Weight	13kgs

ADDITIONAL INFORMATION

TV Size Range	Large (47" to 65"), X- Large (49" to 75"), XX- Large (65" to 90")
TV Type	LCD TV, LED TV
Mount Type	Swivel
VESA Compliance	600 x 400, 900 x 600, 700x500
Weight	40kgs- 60kgs, 60kgs- 80kgs, 80kgs- 100kgs