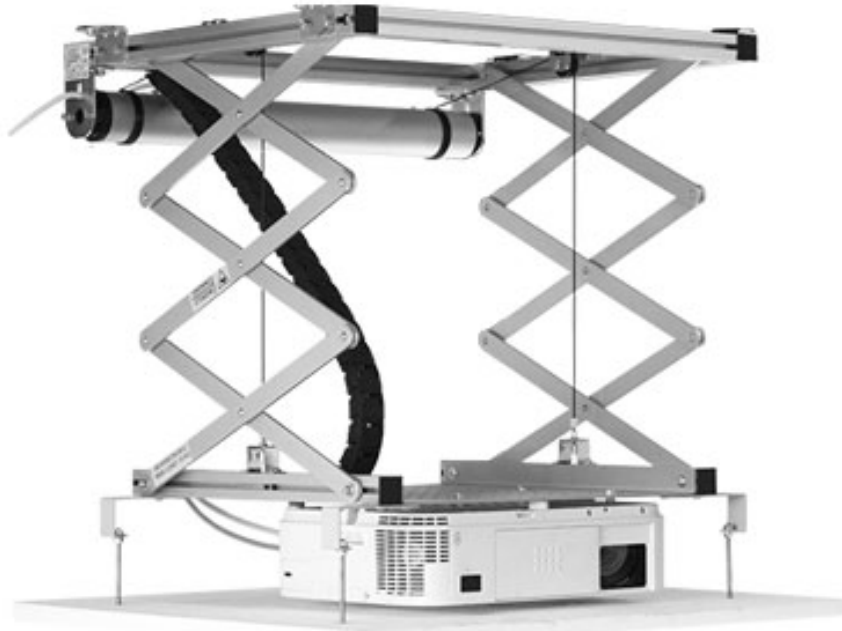


PRJ M3



The Tono PRJ M projector lift supports projectors up to 60 kgs and includes height adjustment levels from 1000mm to 3000mm. Built from high quality material this lift will definitely compliment your interiors. Aluminium material helps the lift to be light in weight and provide ease for the motor to function smoothly. The motor carries 2 years warranty while the body has 5 years warranty.

Another feature is integrated cable management for a clean look, furthermore the post- installation micro adjustments allow easy projector registration. Finally in addition it is compatible with nearly all DLP and LCD projectors in the market. Tono Systems is the number one brand in India because it provides simple solutions for projector accessories like motorised and manual mounts for projector

This Projector Ceiling mount kit for home theatre projectors are perfect for small projectors upto 60 kgs. The mounting pattern remains the same as it universal, rather than having a multiple options we provide simple solutions for multiple displays. The Black aluminium finish is perfect for any home theatre setting which makes it especially relevant.

Most of all used brands of home theatre projectors are Benq, Epson, Optoma, Vivitek, Panasonic, Sony and many more.

You can easily position your projector and secure it to maintain a stable image while viewing. It comes with the universal Projector Connector that fits virtually every projector weighing up to 60 kgs.

Now you can easily project an image on any screen or wall, probably this is the best mounting solution in the market. The unique spherical hinge joint has a huge range of movement so you can position your projector wherever you desire. With the Adjust & Secure feature you can lock the projector into position. You can easily conceal your cables with the cable inlay system.

Features

- Comes with Warranty
- Silent motor
- Non Rusting Aluminium Body
- Adjustable Height
- Includes all mounting hardware

SPECIFICATIONS

Model Name	PRJ M3
Quantity in Box	1
Color	Silver
Material	Steel, Aluminium
Weight	7.4kg
Frame Size	24" x 24"
Depth	5 + projector depth
Travels	3 feet
Warranty	2 years

PACKAGE SPECIFICATIONS

Package Parcels	1 pcs
Package Measurements	102 x 20 x 18 cm
Package Weight	11.30 kg