



*designed for today*

## Tono PVW 600

### VIDEO WALL MOUNT

16 way Tool-less MICRO Alignment

- Hydraulic Soft Mechanism
- Heavy Duty Body
- European Standards Certification
- 2 years Warranty



### UL APPROVED VIDEO WALL MOUNT SYSTEM

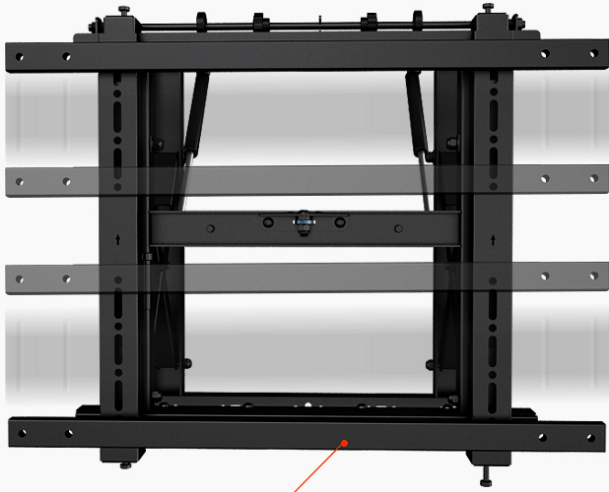
#### SPECIFICATION

Support TV Size <sub>(400/600/900)</sub>	19" - 55" / 37" - 70" / 42" - 90"
VESA <sub>(400/600/900)</sub>	100x100 - 400x400mm / 100x100 - 600x400mm / 100x100 - 900x400mm
Max load	50kg(110lbs)
Tilt arms	0-10°
Wall distance	110-295mm
Material	Steel Construction
Color	Black & White



100x100mm — VESA — 400x400mm

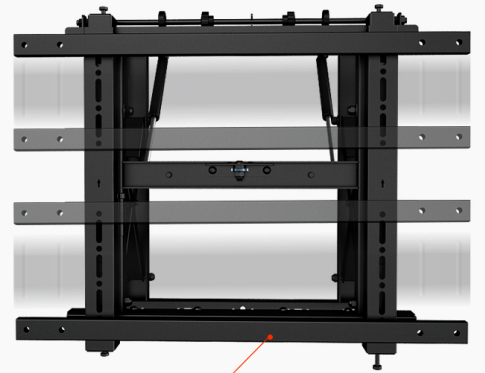




Add 600mm adapter



100x100mm — VESA — 600x400mm



Add 600mm adapter

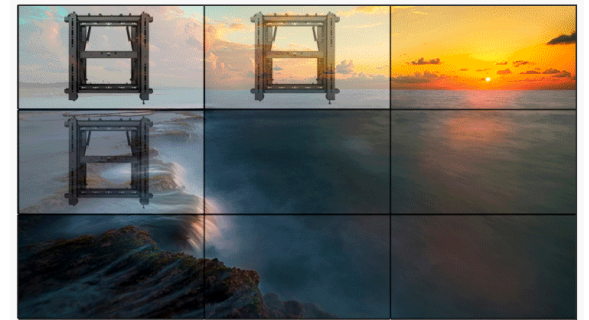


100x100mm — VESA — 600x400mm

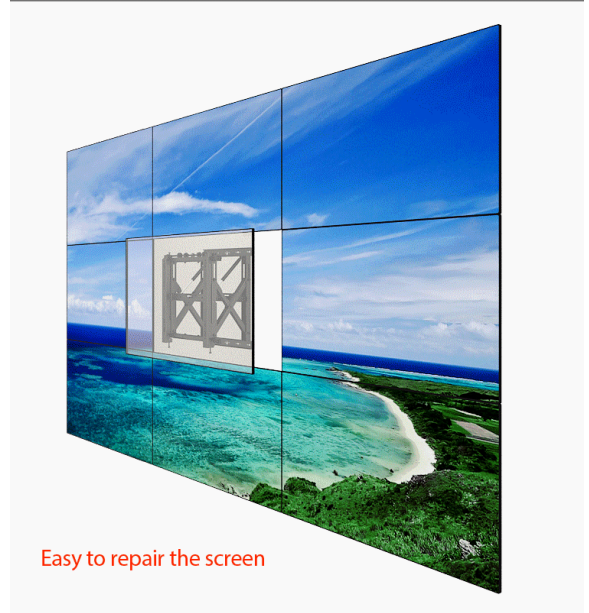




*designed for today*



Modular design



Easy to repair the screen

**Tono Systems LLP**

India

**Headquarters**

Gr 2, Dev Prayag,  
Near Hariniwas circle,  
Bhakti Mandir Road,  
Thane(W)- 400602  
Maharashtra, India  
T +91 22 6793 6464  
M +91 9867412691

EMAIL: [contactus@tonosystems.com](mailto:contactus@tonosystems.com)  
[www.tonosystems.com](http://www.tonosystems.com)