

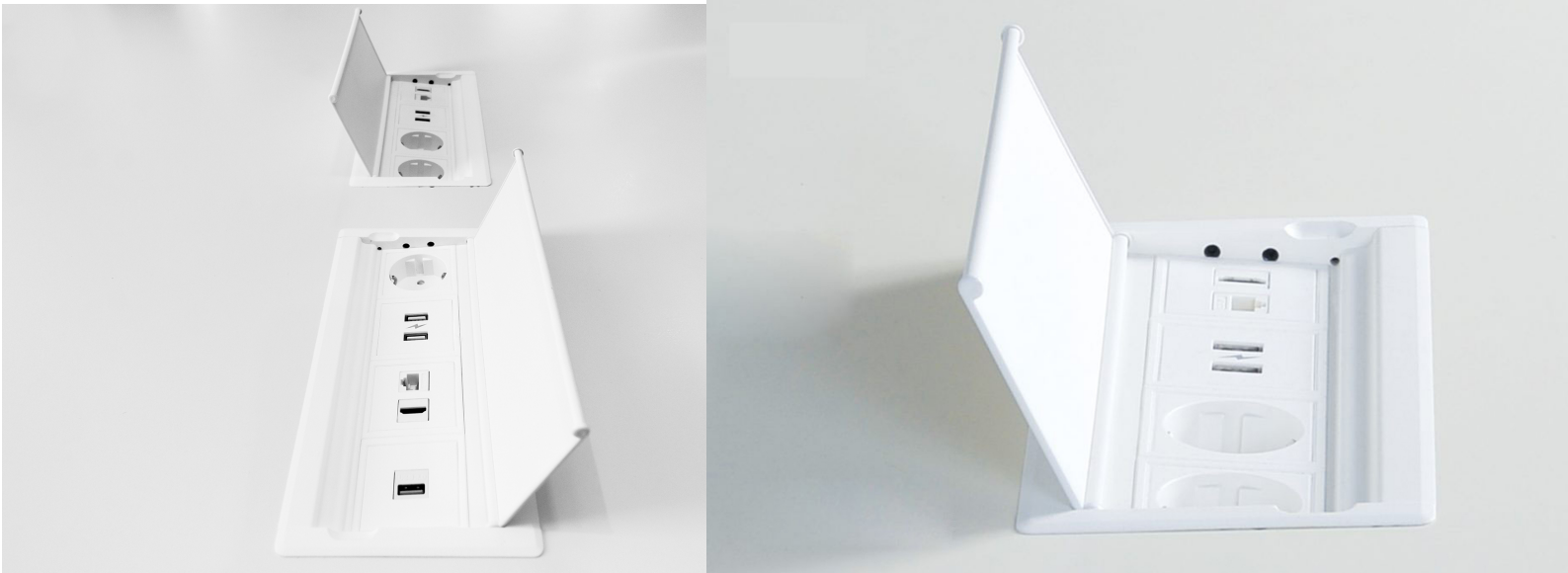
Thin Open
& plug

IN THE DESK

Recommended for
All types of offices, classrooms,
meeting rooms, hotel rooms

Designed for the work space, and conference and meeting rooms, but its minimalistic design and Thin appearance enables its use in the lounge and living space. Device

contours can be adapted to furniture contours. Increases the level of efficiency and, productivity and orderliness in the work space.



ADVANTAGES

- Small dimensions - high level of modularity
- Profile of device is less than 1.5mm
- Aluminium lid protects from dust, fluid and other external influences
- It can be installed into the desks of unlimited thickness
- Exchangeable communications modules

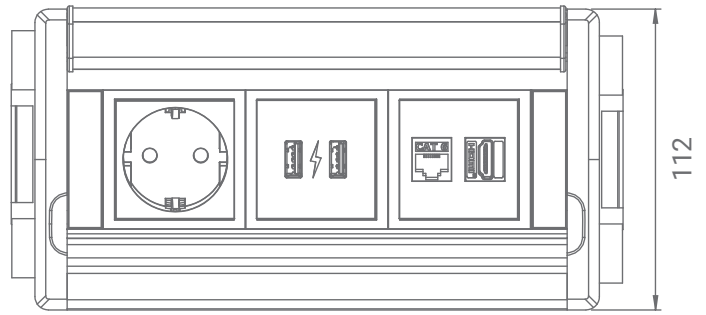
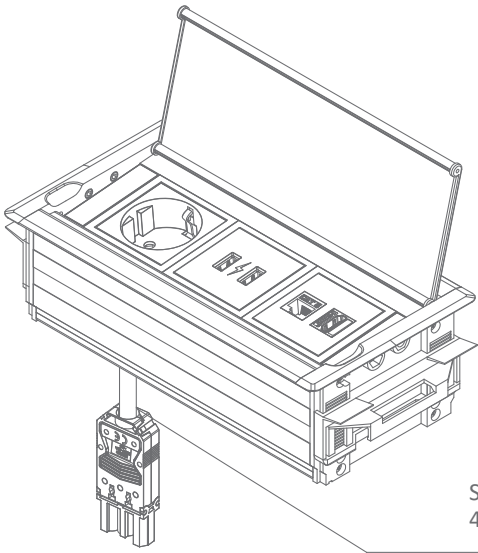
POWER CHARACTERISTICS

- **Voltage:** 100-250 V max
- **Current:** 16 A max
- **Frequency:** 50-60 Hz
- **Temperature:** 0 – 40°C
- **Relative humidity:** 0 – 95 % (no condensing)
- **Protection:** IP 20
- **Power cable / connector:** cable HO5VV - F, 3x1,5mm² EPN 1104/EPN 1114 (Wieland m/f) – 400mm. For additional cables, (Table 5, page 56)

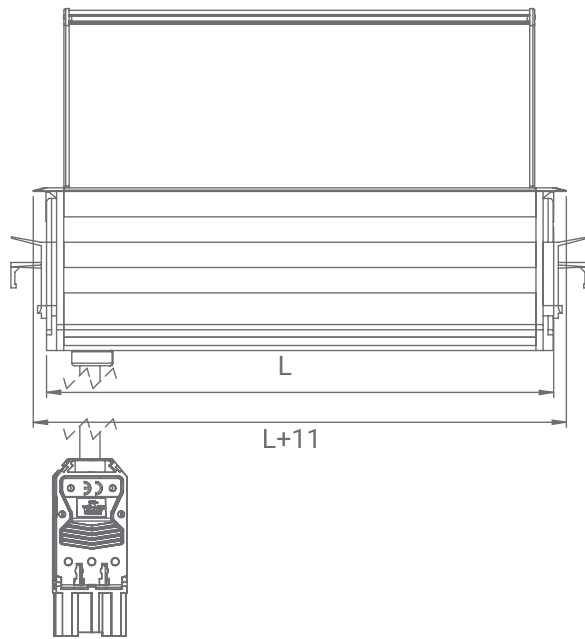
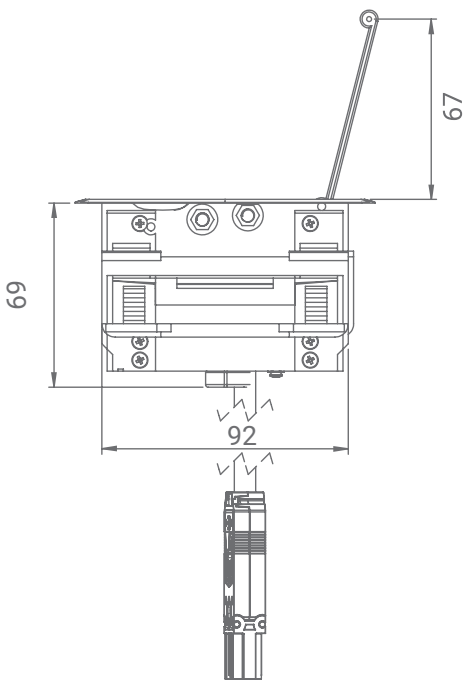


Installing of power modules is performed solely in our company.

We offer our clients the choice between having their devices equipped with communication and data modules in our company or for the client to order and buy the required modules and install them themselves.



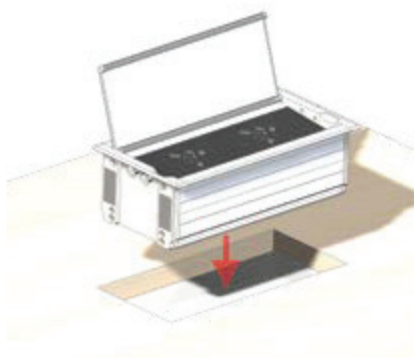
Standard cable length:
400mm (with Wieland connector)



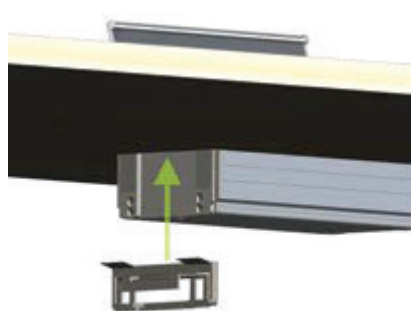
MOUNTING

With integrated hidden screw – without limit. With the plastic fixator. Maximum desk thickness is 32mm.

1



2



3



P Schuko power outlet (Type F)
2 pins, grounded, 16 A (max), 240 V (max), grounded



USB-C USBCharger2,
5 V, 2.4 A, 2 ports



E exchangeable communication
module place