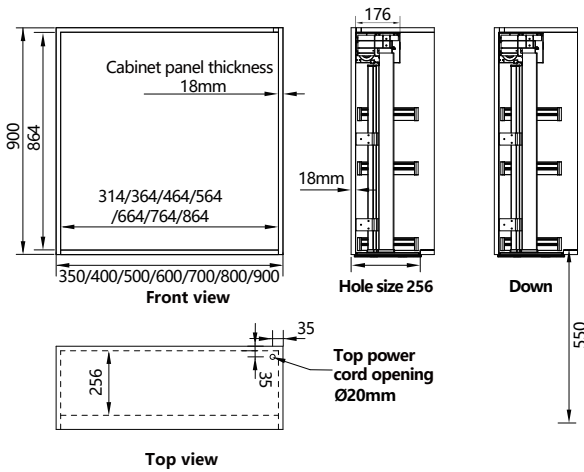


Product Model: TM 01



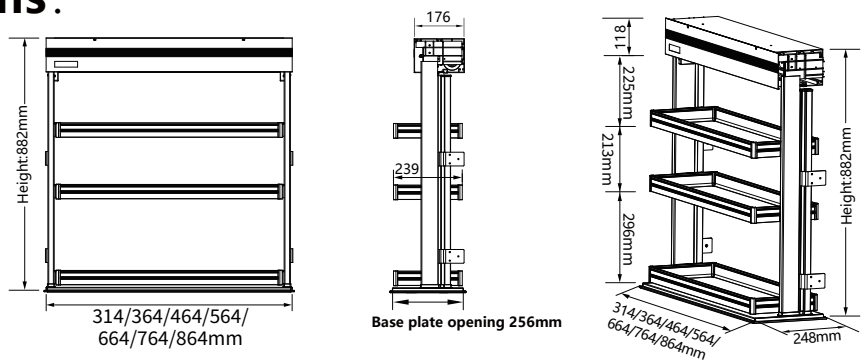
Cabinet Dimensions:



Cabinet Width (W)	Cabinet Height (H)	Cabinet Panel Thickness	Inside Width x Inside Height Size	Base Plate Hole Size	Power Cord Hole
W=350	700mm	18mm	314x664mm	256/190/134mm	20mm
W=400	700mm	18mm	364x664mm	256/190/134mm	20mm
W=500	700mm	18mm	464x664mm	256/190/134mm	20mm
W=600	700mm	18mm	564x664mm	256/190/134mm	20mm
W=700	700mm	18mm	664x664mm	256/190/134mm	20mm
W=800	700mm	18mm	764x664mm	256/190/134mm	20mm
W=900	700mm	18mm	864x664mm	256/190/134mm	20mm

Product Specifications:

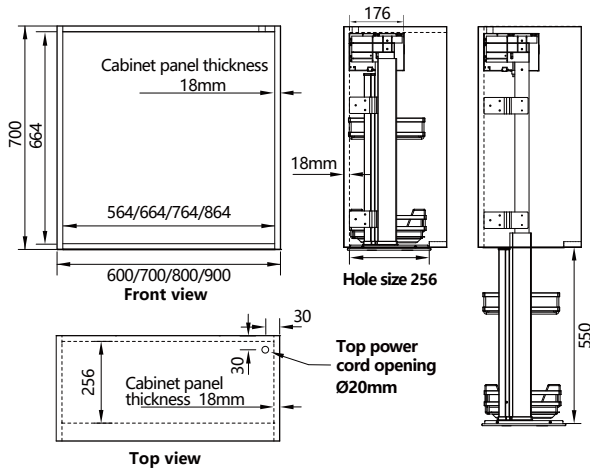
- Input voltage: 100-240V
- Output Voltage: 12V
- Safety System: Anti-Collision & Anti-Pinching
- Airframe Material: Aircraft-grade Aluminum Alloy
- Downstroke: 550-580mm
- Number of lights: 1 (on top)
- Light color temperature: 4000K
- Fatigue Test: 30,000 consecutive lifts under normal operating conditions
- Maximum load capacity: 20 kg



Product Model: TM 02



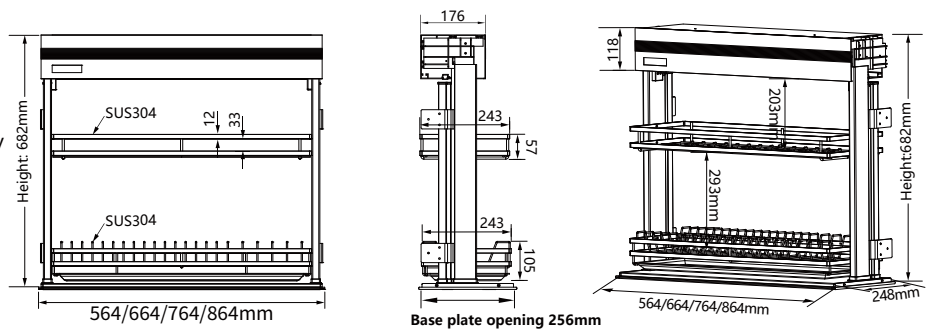
Cabinet Dimensions:



Cabinet Width (W)	Cabinet Height (H)	Cabinet Panel Thickness	Inside Width x Inside Height Size	Base Plate Hole Size	Power Cord Hole
W=400	700mm	18mm	364x664mm	256/190/134mm	20mm
W=500	700mm	18mm	464x664mm	256/190/134mm	20mm
W=600	700mm	18mm	564x664mm	256/190/134mm	20mm
W=700	700mm	18mm	664x664mm	256/190/134mm	20mm
W=800	700mm	18mm	764x664mm	256/190/134mm	20mm
W=900	700mm	18mm	864x664mm	256/190/134mm	20mm

Product Specifications:

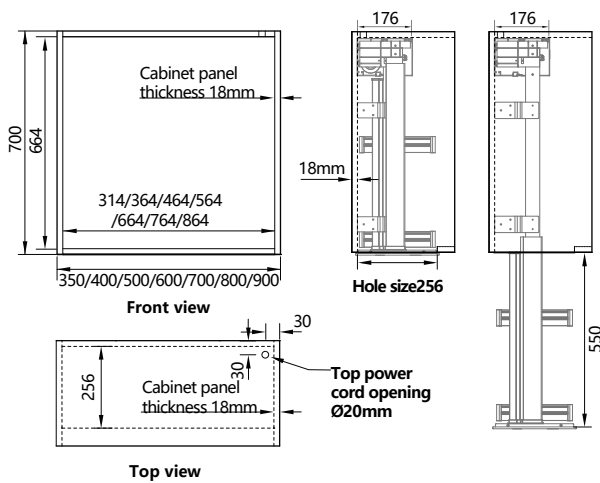
- Input voltage: 100-240V
- Output Voltage: 12V
- Safety System: Anti-Collision & Anti-Pinching
- Airframe Material: Aircraft-grade Aluminum Alloy
- Downstroke: 550-580mm
- Number of lights: 1 (on top)
- Light color temperature: 4000K
- Fatigue Test: 30,000 consecutive lifts under normal operating conditions
- Maximum load capacity: 20 kg



Product Model: TM 03



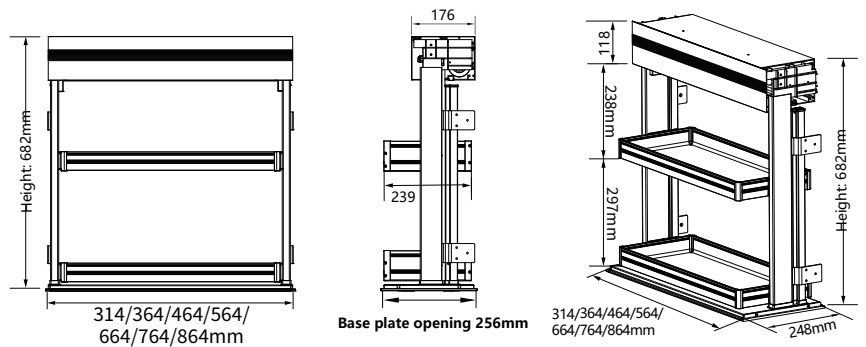
Cabinet Dimensions:



Cabinet Width (W)	Cabinet Height (H)	Cabinet Panel Thickness	Inside Width x Inside Height Size	Base Plate Hole Size	Power Cord Hole
W=350	700mm	18mm	314x664mm	256x314mm	20mm
W=400	700mm	18mm	364x664mm	256x364mm	20mm
W=500	700mm	18mm	464x664mm	256x464mm	20mm
W=600	700mm	18mm	564x664mm	256x564mm	20mm
W=700	700mm	18mm	664x664mm	256x664mm	20mm
W=800	700mm	18mm	764x664mm	256x764mm	20mm
W=900	700mm	18mm	864x664mm	256x864mm	20mm

Product Specifications:

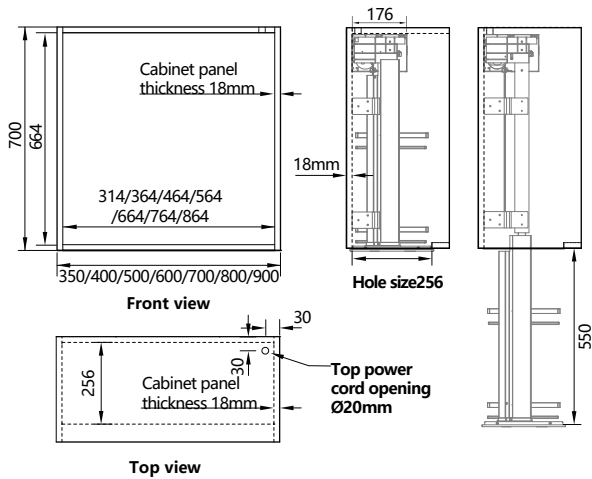
- Input voltage: 100-240V
- Output Voltage: 12V
- Safety System: Anti-Collision & Anti-Pinching
- Airframe Material: Aircraft-grade Aluminum Alloy
- Downstroke: 550-580 mm
- Number of lights: 3 (left and right sides + base plate)
- Light color temperature: 4000K
- Fatigue Test: 30,000 consecutive lifts under normal operating conditions
- Maximum load capacity: 20 kg



Product Model: TM 04



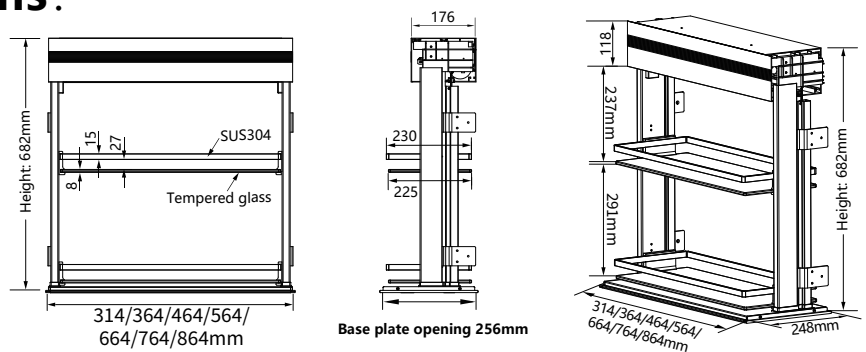
Cabinet Dimensions:



Cabinet Width (W)	Cabinet Height (H)	Cabinet Panel Thickness	Inside Width x Inside Height Size	Base Plate Hole Size	Power Cord Hole
W=350	700mm	18mm	314x664mm	256x314mm	20mm
W=400	700mm	18mm	364x664mm	256x364mm	20mm
W=500	700mm	18mm	464x664mm	256x464mm	20mm
W=600	700mm	18mm	564x664mm	256x564mm	20mm
W=700	700mm	18mm	664x664mm	256x664mm	20mm
W=800	700mm	18mm	764x664mm	256x764mm	20mm
W=900	700mm	18mm	864x664mm	256x864mm	20mm

Product Specifications:

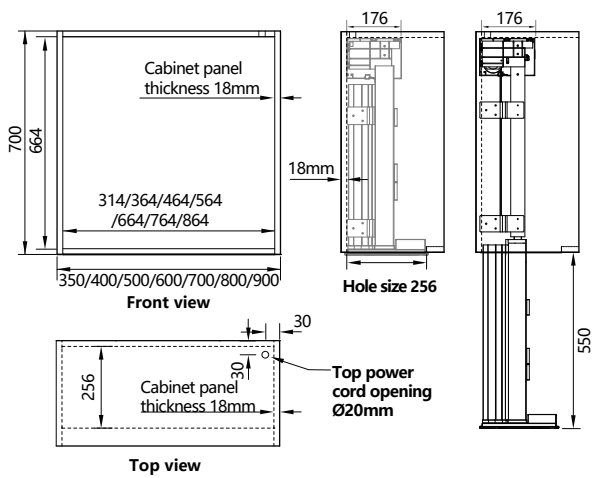
- Input voltage: 100-240V
- Output Voltage: 12V
- Safety System: Anti-Collision & Anti-Pinching
- Airframe Material: Aviation-grade aluminum alloy + glass shelf + 304 SUS
- Downstroke: 550-580 mm
- Number of lights: 3 (left and right sides + base plate)
- Light color temperature: 4000K
- Fatigue Test: 30,000 consecutive lifts under normal operating conditions
- Maximum load capacity: 20 kg



Product Model: TM 05



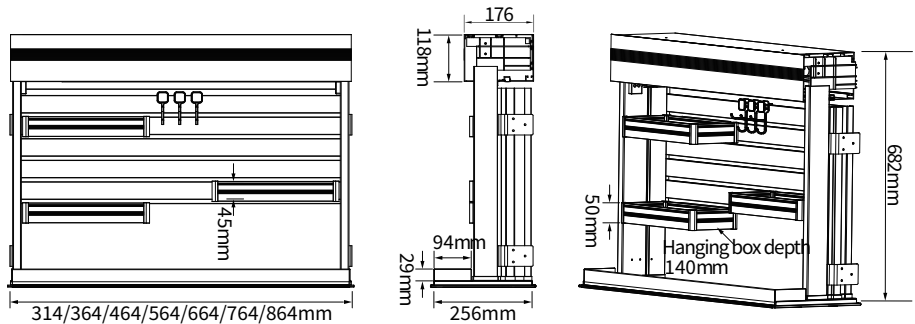
Cabinet Dimensions:



Cabinet Width (W)	Cabinet Height (H)	Cabinet Panel Thickness	Inside Width x Inside Height Size	Base Plate Hole Size	Power Cord Hole
W=350	700mm	18mm	314x664mm	256x314mm	20mm
W=400	700mm	18mm	364x664mm	256x364mm	20mm
W=500	700mm	18mm	464x664mm	256x464mm	20mm
W=600	700mm	18mm	564x664mm	256x564mm	20mm
W=700	700mm	18mm	664x664mm	256x664mm	20mm
W=800	700mm	18mm	764x664mm	256x764mm	20mm
W=900	700mm	18mm	864x664mm	256x864mm	20mm

Product Specifications:

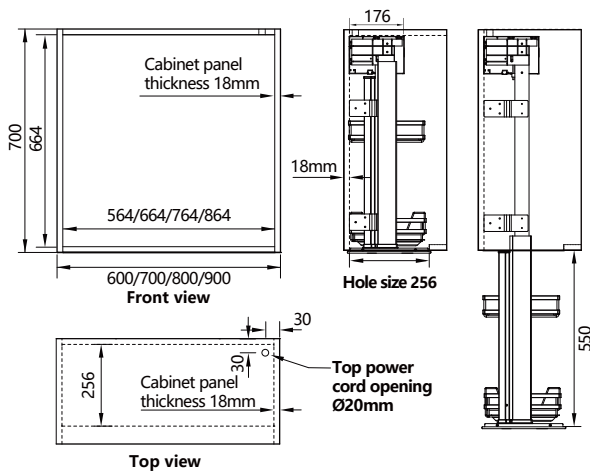
- Input voltage: 100-240V
- Output Voltage: 12V
- Safety System: Anti-Collision & Anti-Pinching
- Airframe Material: Aircraft-grade Aluminum Alloy
- Downstroke: 550-580 mm
- Number of lights: 3 (left and right sides + base plate)
- Light color temperature: 4000K
- Fatigue Test: 30,000 consecutive lifts under normal operating conditions
- Maximum load capacity: 20 kg



Product Model: TM 06



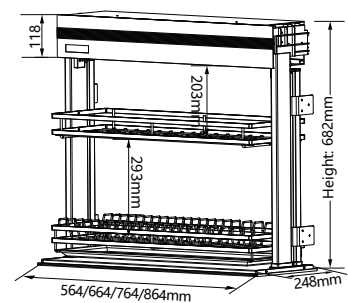
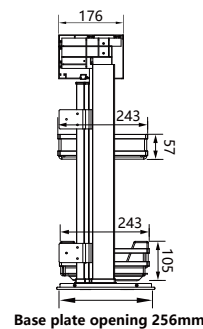
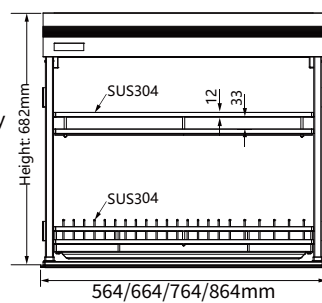
Cabinet Dimensions:



Cabinet Width (W)	Cabinet Height (H)	Cabinet Panel Thickness	Inside Width x Inside Height Size	Base Plate Hole Size	Power Cord Hole
W=600	700mm	18mm	564x664mm	256x564mm	20mm
W=700	700mm	18mm	664x664mm	256x664mm	20mm
W=800	700mm	18mm	764x664mm	256x764mm	20mm
W=900	700mm	18mm	864x664mm	256x864mm	20mm

Product Specifications:

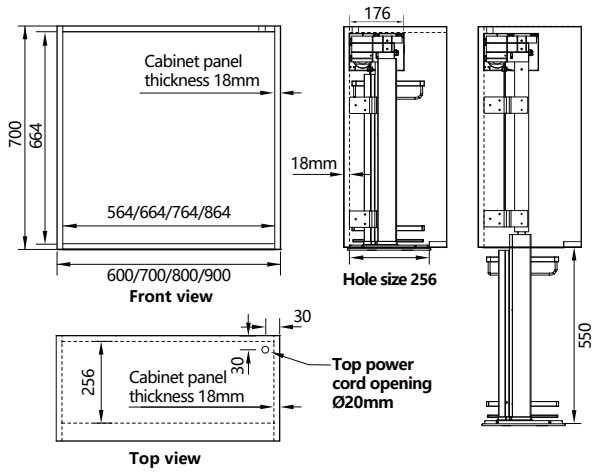
- Input voltage: 100-240V
- Output Voltage: 12V
- Safety System: Anti-Collision & Anti-Pinching
- Airframe Material: Aircraft-grade Aluminum Alloy
- Downstroke: 550-580 mm
- Number of lights: 3 (left and right sides + base plate)
- Light color temperature: 4000K
- Fatigue Test: 30,000 consecutive lifts under normal operating conditions
- Maximum load capacity: 20 kg



Product Model: TM 07



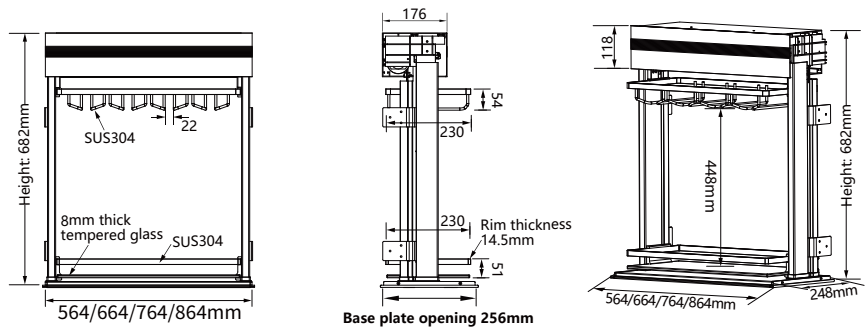
Cabinet Dimensions:



Cabinet Width (W)	Cabinet Height (H)	Cabinet Panel Thickness	Inside Width x Inside Height Size	Base Plate Hole Size	Power Cord Hole
W=600	700mm	18mm	564x664mm	256x564mm	20mm
W=700	700mm	18mm	664x664mm	256x664mm	20mm
W=800	700mm	18mm	764x664mm	256x764mm	20mm
W=900	700mm	18mm	864x664mm	256x864mm	20mm

Product Specifications:

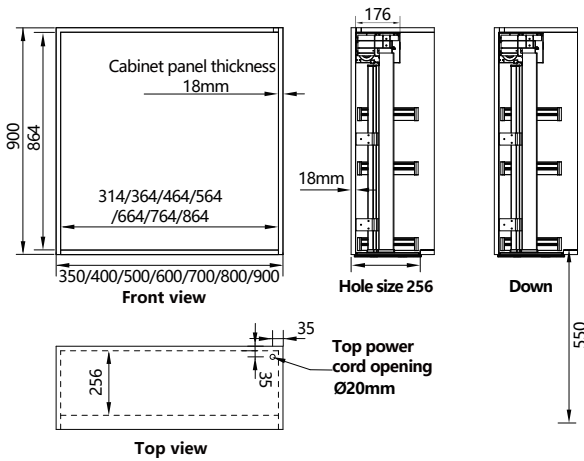
- Input voltage: 100-240V
- Output Voltage: 12V
- Safety System: Anti-Collision & Anti-Pinching
- Airframe Material: Aviation-grade aluminum alloy + SUS304 + tempered glass
- Downstroke: 550-580 mm
- Number of lights: 3 (left and right sides + base plate)
- Light color temperature: 4000K
- Fatigue Test: 30,000 consecutive lifts under normal operating conditions
- Maximum load capacity: 20 kg



Product Model: TM 09



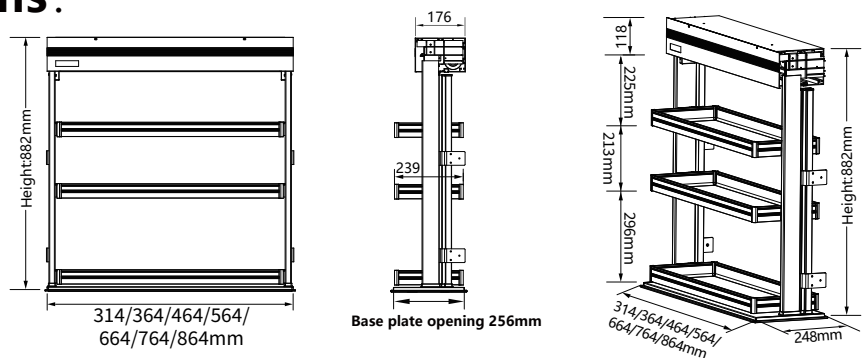
Cabinet Dimensions:



Cabinet Width (W)	Cabinet Height (H)	Cabinet Panel Thickness	Inside Width x Inside Height Size	Base Plate Hole Size	Power Cord Hole
W=350	900mm	18mm	314x864mm	256x314mm	20mm
W=400	900mm	18mm	364x864mm	256x364mm	20mm
W=500	900mm	18mm	464x864mm	256x464mm	20mm
W=600	900mm	18mm	564x864mm	256x564mm	20mm
W=700	900mm	18mm	664x864mm	256x664mm	20mm
W=800	900mm	18mm	764x864mm	256x764mm	20mm
W=900	900mm	18mm	864x864mm	256x864mm	20mm

Product Specifications:

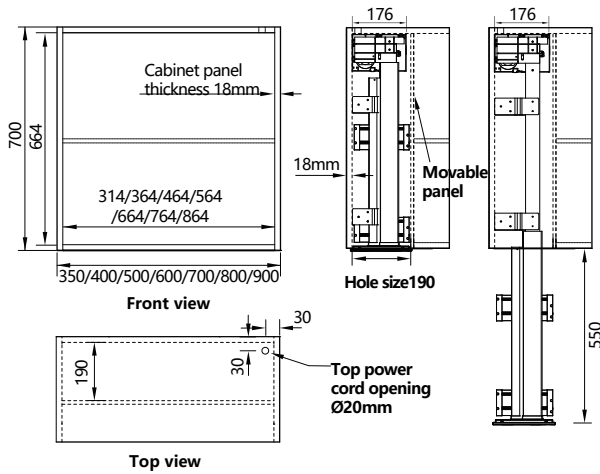
- Input voltage: 100-240V
- Output Voltage: 12V
- Safety System: Anti-Collision & Anti-Pinching
- Airframe Material: Aircraft-grade Aluminum Alloy
- Downstroke: 550-580 mm
- Number of lights: 3 (left and right sides + base plate)
- Light color temperature: 4000K
- Fatigue Test: 30,000 consecutive lifts under normal operating conditions
- Maximum load capacity: 20 kg



Product Model: TM 10



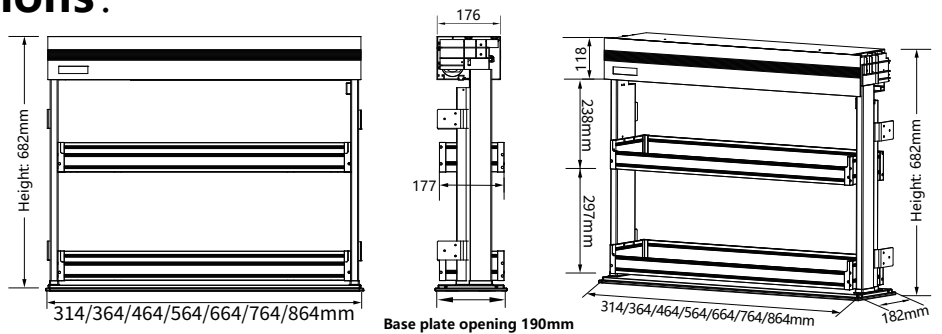
Cabinet Dimensions:



Cabinet Width (W)	Cabinet Height (H)	Cabinet Panel Thickness	Inside Width x Inside Height Size	Base Plate Hole Size	Power Cord Hole
W=350	700mm	18mm	314x664mm	190x314mm	20mm
W=400	700mm	18mm	364x664mm	190x364mm	20mm
W=500	700mm	18mm	464x664mm	190x464mm	20mm
W=600	700mm	18mm	564x664mm	190x564mm	20mm
W=700	700mm	18mm	664x664mm	190x664mm	20mm
W=800	700mm	18mm	764x664mm	190x764mm	20mm
W=900	700mm	18mm	864x664mm	190x864mm	20mm

Product Specifications:

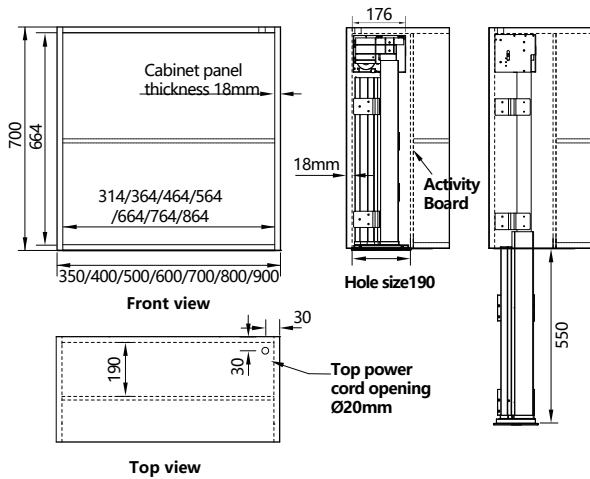
- Input voltage: 100-240V
- Output Voltage: 12V
- Safety System: Anti-Collision & Anti-Pinching
- Airframe Material: Aircraft-grade Aluminum Alloy
- Downstroke: 550-580 mm
- Number of lights: 3 (left and right sides + base plate)
- Light color temperature: 4000K
- Fatigue Test: 30,000 consecutive lifts under normal operating conditions
- Maximum load capacity: 20 kg



Product Model: TM 11



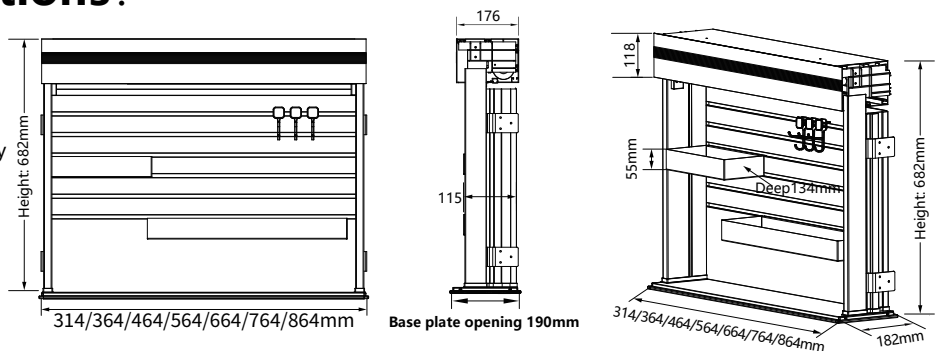
Cabinet Dimensions:



Cabinet Width (W)	Cabinet Height (H)	Cabinet Panel Thickness	Inside Width x Inside Height Size	Base Plate Hole Size	Power Cord Hole
W=350	700mm	18mm	314x664mm	190x314mm	20mm
W=400	700mm	18mm	364x664mm	190x364mm	20mm
W=500	700mm	18mm	464x664mm	190x464mm	20mm
W=600	700mm	18mm	564x664mm	190x564mm	20mm
W=700	700mm	18mm	664x664mm	190x664mm	20mm
W=800	700mm	18mm	764x664mm	190x764mm	20mm
W=900	700mm	18mm	864x664mm	190x864mm	20mm

Product Specifications:

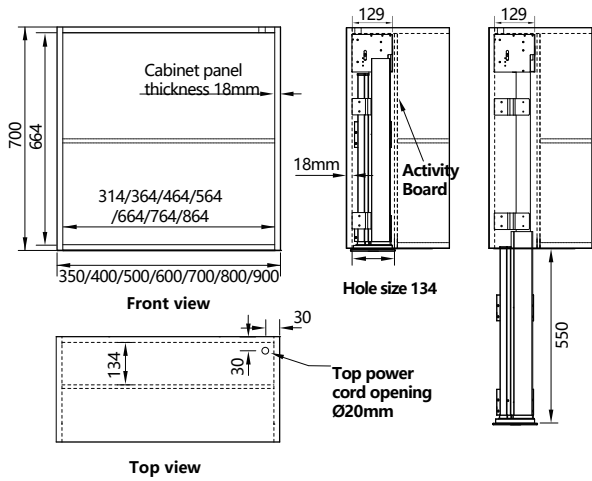
- Input voltage: 100-240V
- Output Voltage: 12V
- Safety System: Anti-Collision & Anti-Pinching
- Airframe Material: Aircraft-grade Aluminum Alloy
- Downstroke: 550-580 mm
- Number of lights: 3 (left and right sides + base plate)
- Light color temperature: 4000K
- Fatigue Test: 30,000 consecutive lifts under normal operating conditions
- Maximum load capacity: 20 kg



Product Model: TM 12



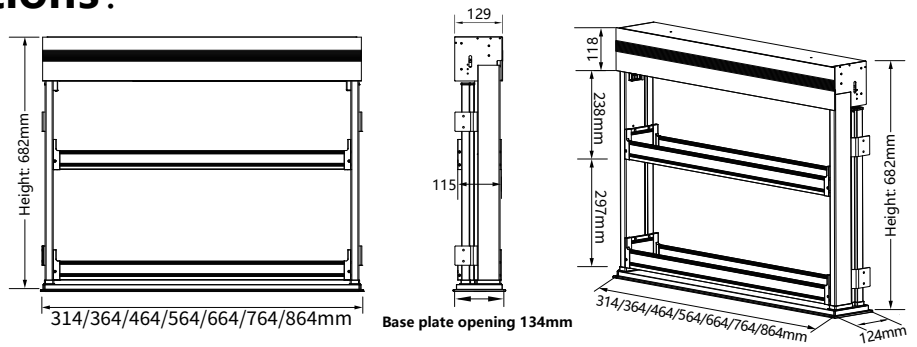
Cabinet Dimensions:



Cabinet Width (W)	Cabinet Height (H)	Cabinet Panel Thickness	Inside Width x Inside Height Size	Base Plate Hole Size	Power Cord Hole
W=350	700mm	18mm	314x664mm	134x314mm	20mm
W=400	700mm	18mm	364x664mm	134x364mm	20mm
W=500	700mm	18mm	464x664mm	134x464mm	20mm
W=600	700mm	18mm	564x664mm	134x564mm	20mm
W=700	700mm	18mm	664x664mm	134x664mm	20mm
W=800	700mm	18mm	764x664mm	134x764mm	20mm
W=900	700mm	18mm	864x664mm	134x864mm	20mm

Product Specifications:

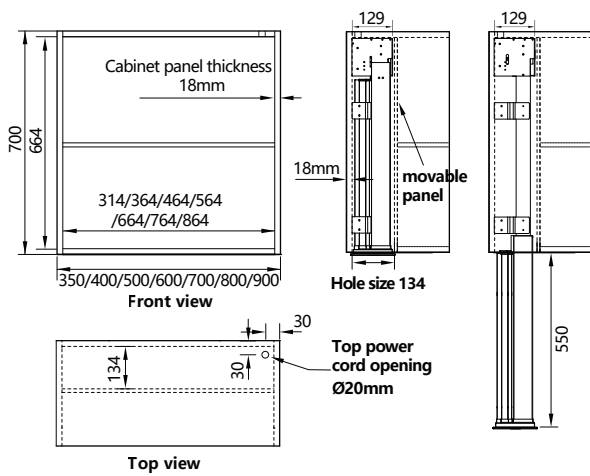
- Input voltage: 100-240V
- Output Voltage: 12V
- Safety System: Anti-Collision & Anti-Pinching
- Airframe Material: Aircraft-grade Aluminum Alloy
- Downstroke: 550-580 mm
- Number of lights: 3 (left and right sides + base plate)
- Light color temperature: 4000K
- Fatigue Test: 30,000 consecutive lifts under normal operating conditions
- Maximum load capacity: 20 kg



Product Model: TM 13



Cabinet Dimensions:



Cabinet Width (W)	Cabinet Height (H)	Cabinet Panel Thickness	Inside Width x Inside Height Size	Base Plate Hole Size	Power Cord Hole
W=350	700mm	18mm	314x664mm	134x314mm	20mm
W=400	700mm	18mm	364x664mm	134x364mm	20mm
W=500	700mm	18mm	464x664mm	134x464mm	20mm
W=600	700mm	18mm	564x664mm	134x564mm	20mm
W=700	700mm	18mm	664x664mm	134x664mm	20mm
W=800	700mm	18mm	764x664mm	134x764mm	20mm
W=900	700mm	18mm	864x664mm	134x864mm	20mm

Product Specifications:

- Input voltage: 100-240V
- Output Voltage: 12V
- Safety System: Anti-Collision & Anti-Pinching
- Airframe Material: Aircraft-grade Aluminum Alloy
- Downstroke: 550-580mm
- Number of lights: 3 (Both sides + bottom)
- Light color temperature: 4000K
- Fatigue Test: 30,000 consecutive lifts under normal operating conditions
- Maximum load capacity: 20 kg

